



WAFER TYPE BUTTERFLY VALVE



技術參數 Specification

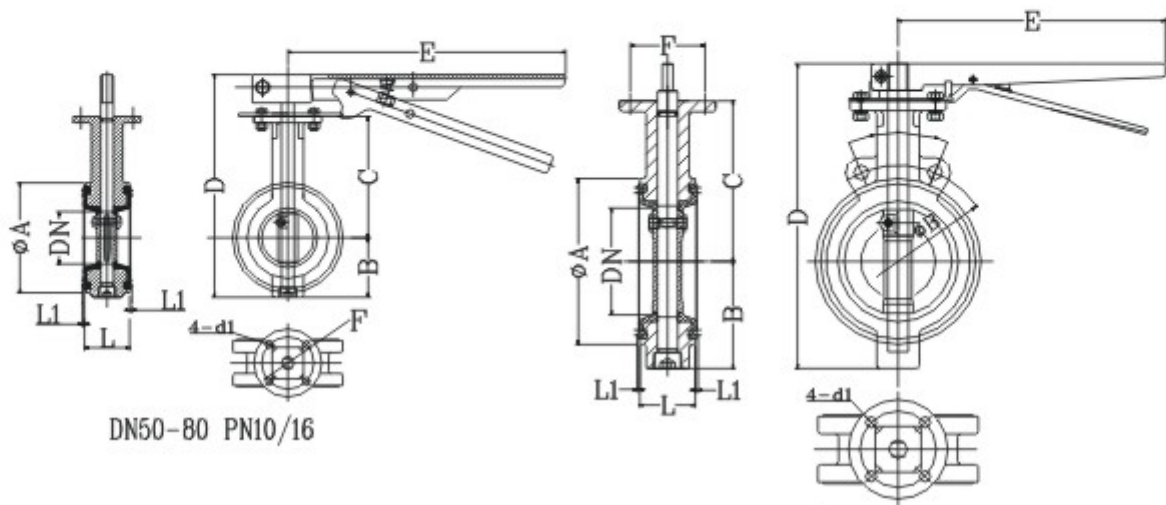
尺寸(SIZE)	DN50 ~ DN600
適用壓力(PRESSURE RATING)	PN10 / PN16, ANSI 150#, JIS 10K
閥體試驗壓力(BODY TEST PRESSURE)	1.5 ~ 2.4 Mpa
密封試驗壓力(SEAT TEST PRESSURE)	1.1 ~ 1.7Mpa
適用溫度(OPERATION TEMPERATUER)	-50°C ~ 200°C
適用流體(FLUID)	污水, 水, 油, 氣 Sewa ge, Wa ter, Oil, Gas
表面塗裝(PAINTING)	環氧樹脂粉體塗裝Epoxy Coating

特點 Feature

- ▶ 閥座採用可拆卸設計以便現場維修，並採用全通徑設計，不易受雜質影響，兩側的 O 型環使安裝時不須添加墊片而保持可靠的密封，並可根據不同的使用環境選用適合的材質。
- ▶ 閥瓣是採用更有效率的設計，可變向使用，流體阻力小，流量特性好。
- ▶ 軸銷採用美國專利設計退拔銷結構，將閥瓣閥軸緊密結合在一起。
- ▶ 閥體結構長度系列遵照 **ISO5752** 標準設計。
- ▶ 驅動器連接遵照 **ISO5211** 標準設計。
- ▶ 驅動裝置選用靈活，可因需求配置手動、電動、氣動等不同驅動裝置。
- ▶ The valve seat can be easily disassembles and assembled that will be easy to maintenances online. Full port design for the valves, the impurities cannot influence the open or close of the valve. The unit O-rings connect with the two ends of the valves insured the valves securely joint with the pipelines without any other gaskets. The seat can use different materials depend on the media and working condition.
- ▶ The structure of the disc is streamlined design. It can be used at bi-direction operate. The flow resistant is lower and flow character is well.
- ▶ Unique design for taper pin, which caused the disc and the shaft connect very well.
- ▶ The length of Face to Face acc to the standard of ISO5752.
- ▶ The standard acc to ISO 5211, Which connection between the valves and the actuators.
- ▶ The actuators can choose the Manual operator, Electric actuators, and Pneumatic actuators depend to the customer' s requirements.

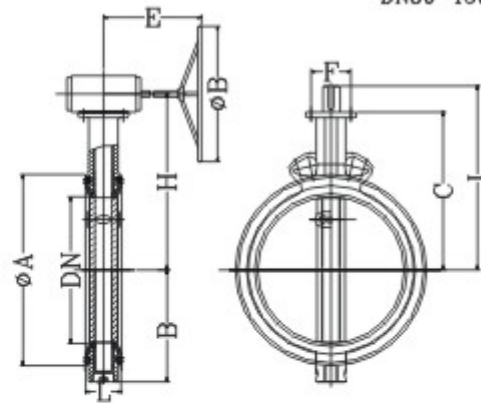
材質表 Materials

零件名稱	Name	規格	Specification	JIS	ASTM
閥體	Body	鑄鐵	Cast Iron	FC 200	A126 CI.B
		球墨鑄鐵	Ductile Iron	FCD400	A395
		不銹鋼	Stainless Steel	SCS 13A SCS 14A	A351 Gr. CF8 A351 Gr. CF8M
閥瓣	Disc	球鐵鍍鎳	D.I. + Nickel Plated		
		球墨鑄鐵	Ductile Iron	FCD400	A395
		不銹鋼	Stainless Steel	SCS 13A	A351 Gr. CF8
				SCS 14A	A351 Gr. CF8M
鋁青銅	Alu-Broze	ALBC2	B148 C95400		
閥杆	Stem	不銹鋼	Stainless Steel	SUS 410	A182 Gr. F6A
				SUS 304	A182 Gr. F304
				SUS 316	A182 Gr. F316
閥座	Seat	晴橡膠	NBR	/	/
		乙烯橡膠	EPDM		
		四氯化碳橡膠	VITON		
		速立康	Slicon		
		聚四氟乙烯	PTFE		
軸銷	Taper pin	不銹鋼	Stainless Steel	SUS 304	A182 Gr. F304
O 型環	O-Ring	晴橡膠	NBR		



DN50-80 PN10/16

DN80-150 PN10/16



DN200-600 PN10/16

尺寸表 Dimension

DN	PN	ϕA	B	C	D	E	L	L1	H	I	d1	d2	F	G	備註
50	10/16	105	27	116	208	268	43	2	NA	NA	7	NA	$\phi 50(F05)$	NA	NA
65	10/16	125	70	121	226	268	46	2.5	NA	NA	7	NA	$\phi 50(F05)$	NA	NA
80	10/16	140	82	130	247	268	46	2.5	NA	NA	7	19	$\phi 50(F07)$	160	NA
100	10/16	155	100	150	285	268	52	2.5	NA	NA	9	19	$\phi 70(F07)$	180	NA
125	10/16	190	125	162	322	268	56	2.5	NA	NA	9	19	$\phi 70(F07)$	210	NA
150	10/16	216	140	190	370	268	56	2.5	NA	NA	11.5	23	$\phi 120(F10)$	240	NA
200	10/16	271	170	215	NA	240	60	NA	255	265	NA	NA	$\phi 102(F10)$	220	無密封定位軸套
250	10/16	326	202	250	NA	300	68	NA	289	295	NA	NA	$\phi 125(F12)$	220	無密封定位軸套
300	10/16	376	235	300	NA	300	78	NA	339	356	NA	NA	$\phi 125(F12)$	220	無密封定位軸套
350	10/16	424	248	350	NA	240	78	NA	390	408	NA	NA	$\phi 125(F12)$	300	NA
400	10/16	483	270	360	NA	336	103	NA	443	420	NA	NA	$\phi 140(F14)$	220	NA
450	10/16	530	327	400	NA	336	114	NA	443	460	NA	NA	$\phi 140(F14)$	220	NA
500	10/16	582	355	430	NA	351	128	NA	534	495	NA	NA	$\phi 165(F16)$	350	NA
600	10/16	688	417	517	NA	402	154	NA	638	582	NA	NA	$\phi 165(F16)$	350	NA